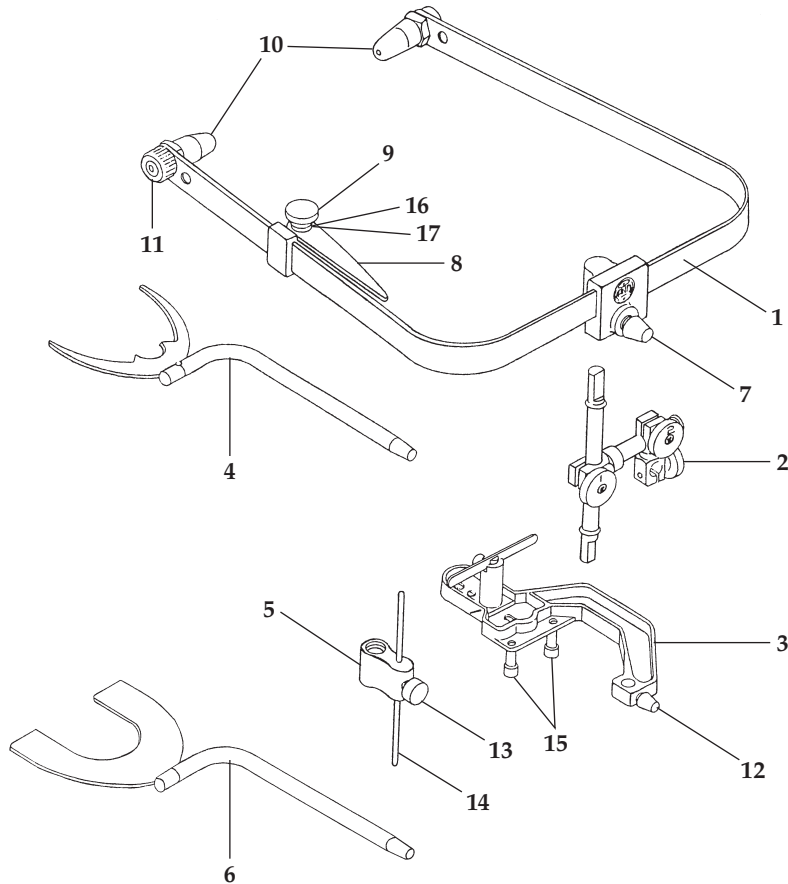


HANAU™ PARTS LIST

SPRING-BOW
010328-000

PART #: 20000648
EFFECTIVE: 12-01-19
SUPERSEDES: 09-01-12



Key #	Part #	Description
1	010355-000	Bow
2	010356-000	Transfer Clamp Assembly
3, 12, 15	010342-000	Mounting Platform
4	005726-000	Bitefork Assembly
5	010381-000	Elevator Body
6	005727-000	Bite Plane
7	010369-000	Thumbscrew
8	010387-000	Anterior Reference
9	010377-000	Thumbscrew

Key #	Part #	Description
10	010389-000	Earpiece
11	010371-000	Thumbnut
12	010369-000	Thumbscrew
13	009133-000	Thumbscrew
14	010384-000	Elevator Rod
15	009928-000	Platform Thumbscrew
16	008674-000	Washer
17	009922-000	Spring

* Factory Repair Required



RESTORATIVE ORAL HEALTH
Whip Mix Corporation
361 Farmington Avenue
Louisville, KY USA 40209
Toll-Free: 800-626-5651
Fax: 502-634-4512
www.whipmix.com



EU Representative
Whip Mix Europe GmbH
Raudestraße 2
D-44141 Dortmund, Germany
Phone: 49 231 567 70 8-0
Fax: 49 231 567 70 8-50
U.S. Phone: 1-970-472-1635