



# 3/4 HP Model Trimmer Operating Instructions



Whip Mix Corporation • 361 Farmington Ave. • P.O. Box 17183 • Louisville, KY 40217-0183 USA  
502-637-1451 • 800-626-5651 • Fax 502-634-4512 • [www.whipmix.com](http://www.whipmix.com)

## Technical Specifications

Voltage:	115 V/60 HZ
Horsepower:	3/4 HP
Amperage:	8A
RPM:	1800
Dimensions:	15" W x 15 1/4" H x 19" D (38 cm x 39 cm x 48 cm)
Weight:	60 lbs. (27.2 kg)

**Note:** If your unit was purchased for use outside the U.S.A., your unit may be fitted with a special plug.

Fitting sizes outside the U.S.A. may vary, and you may need to purchase a special fitting from your plumber or electrical equipment supplier.

If used outside the U.S.A., please comply with all local electrical codes when installing.

## Installation

Remove the Model Trimmer from the shipping carton. Save the shipping carton for future shipping. Select a location for the Model Trimmer that provides easy access for hookup, cleaning and maintenance. Space required: 15" wide x 15 1/4" high x 19" deep.

### Item Number 09650 3/4 HP Wet Model Trimmer

Standard equipment packaged with each wet model trimmer includes:

- 1– Stainless steel work table
- 1– Coarse abrasive wheel
- 1– 24" 1-1/2 dia. (1 m) length of water drain hose
- 1– 30" (76.2 cm) length of plastic water supply hose
- 1– Electric water valve
- 1– Water spray attachment
- 1– Splash shield

Electricity, water and drain with plaster trap are required for wet trimmer. A 1/4" pipe fitting is provided on the end of the plastic water hose for connecting to the water supply. Route drain hose to sink basin making sure it is sloped downward, toward drain, and free of kinks.

The unit may be operated without mounting to counter top,

however, excessive force may cause tipping. To mount, drill holes through the counter top and bolt the Model Trimmer in place or mount the Model Trimmer in the Sediment Tray (see Accessories).

Plug the unit into a grounded receptacle having the same electrical characteristics as shown on the Model Trimmer data plate.

### Item Number 09600 3/4 HP Dry Model Trimmer

Standard equipment packaged with each dry model trimmer includes:

- 1– Stainless steel work table
- 1– Deluxe Blue Wonder™ Diamond Wheel
- 1– Splash shield
- 1– CleanCut rubber wheel cleaner

Electricity, 1 1/2" vacuum fitting, and adequate evacuation/suction is required for proper use of dry trimmer. A high powered dust collection unit is recommended for efficient evacuation of gypsum dust.

After connection vacuum system, plug the unit into a grounded receptacle having the same electrical characteristics as shown on the Model Trimmer data plate.

## Operation

The 12" 3/4 HP Model Trimmer is for trimming models used in the field of dental technology and intended for dental professional use only.

Flip on/off switch to the "on" position (I = on, 0 = off). This trimmer is equipped with a safety switch which stops the motor in the event the door is opened during operation. If using the dry trimmer, be sure vacuum system is running prior to trimming models.

When using the wet trimmer, the amount of water spraying to the wheel can be regulated by adjusting the valve. The valve is for flow adjustment only and is not intended for use as an on/off valve.

Adjust water to flow freely to keep wheel clean and sharp. Water flow is excessive if water drips steadily from the top of the window. Running the Model Trimmer for 30-60 seconds after each use and spraying wheel clean with water spray attachment will assure a clean abrasive wheel and decrease build up of sediment on inside parts.

Regardless of individual trimming technique, it is important that models not be pushed with excessive force against the abrasive wheel. Loss of control can cause injury to hands or damage the Model Trimmer should model become wedged in the housing.

Always turn the Model Trimmer off when not in use.

## Maintenance

Unplug the unit before performing any maintenance function.

To prevent leaks in door, keep gasket face and rubber gasket clean.

Anytime the door is opened, wipe or vacuum any debris from the door, gasket, frame and opposing surface. A thin coat of petroleum jelly or silicon grease applied to the gasket will improve sealing ability and prevent sticking.

Door gasket replacement requires the removal of gasket. Press gasket into groove starting at one end at top of door. Cut off excess length to fit ends of gasket together.

To replace or reverse the abrasive wheel for better cutting action or to replace the Blue Wonder™ Diamond Wheel, first remove the three (3) screws in the attach button with flathead screwdriver, then remove abrasive or diamond wheel.

Replace old gasket on attach button with new gasket. Place attach button in center hole of abrasive wheel and place wheel on backing plate hub. Align off-center hole of abrasive wheel with drive pin. Tighten attach button screws with even rotation.

A Whip Mix Rubber Wheel Cleaner is provided with the dry trimmer for regular maintenance of the Blue Wonder™ Diamond Wheel. With the trimmer and vacuum running, press cleaner against diamond wheel until clean and free of gypsum residue.

The water spray tube should periodically be checked to assure that none of the holes have become clogged. A straight pin may be used to remove debris which may be blocking the holes.

## Environmental Conditions

This Model Trimmer has been designed to be safe at least under the following conditions:

- Indoor Use
- Altitude up to 2000 meters
- Temperature 5 degrees C to 40 degrees C
- Maximum relative humidity 80% for temperatures up to 31 degrees C decreasing linearly to 50% relative humidity at 40 degrees C
- Main supply voltage fluctuations not to exceed plus or minus 10% of the normal voltage
- Transient overvoltages according to INSTALLATION CATEGORY II
- POLLUTION DEGREE 2 in accordance with IEC 664

## CAUTION



- **DO NOT ADJUST TRAY TABLE WHILE THE UNIT IS RUNNING.**
- **WEAR SAFETY GLASSES WHEN TRIMMING.**
- **SECURE ALL LOOSE CLOTHING AND HAIR IN PLACE TO PREVENT POSSIBLE INJURY.**
- **UNPLUG UNIT BEFORE PERFORMING ANY MAINTENANCE OR REPAIR.**
- **DO NOT PUSH MODEL AGAINST ABRASIVE WHEEL WITH EXCESSIVE FORCE.**
- **BEFORE INSTALLATION CHECK ELECTRICAL SUPPLY CHARACTERISTICS WITH MOTOR CHARACTERISTICS.**
- **SHOULD MOTOR FAIL TO START OR BEGIN TO SMOKE, TURN OFF IMMEDIATELY. REFER TO QUALIFIED SERVICE PERSONNEL.**
- **WARNING! TO PREVENT ELECTRICAL SHOCK DO NOT REMOVE GROUND PRONG ON PLUG. USE ONLY THREE-HOLE RECEPTACLE OR ADAPTER.**
- **MOVING PARTS MAY STILL BE IN MOTION AFTER OPENING DOOR.**

## Troubleshooting

MOTOR WILL NOT START, BUT WATER WILL FLOW FROM SPRAY TUBE AND HAND SPRAY.

- Turn off the unit, press the motor's external reset switch. Turn the unit back on. If the motor still will not run, then seek a qualified service technician.

NO WATER.

- Check water supply pressure.
- Check for plugged strainer in inlet hose.
- Fully open adjusting valve and adjust back down.
- Make sure holes in water spray tube are not clogged.

MOTOR WILL NOT START. WATER WILL NOT FLOW.

- Check electrical supply/circuit breaker.

## Blue Wonder™ Diamond Wheels

### Care and Cleaning Tips

The Blue Wonder™ Diamond Wheel is longer lasting than traditional model trimming wheels. The extra coarse diamond surface is designed for aggressive, yet cool cutting. It is durable and perfectly balanced for smooth operation. It easily grinds die material, stone and plaster casts and will not clog if used and cared for properly.

In order to ensure that the Blue Wonder™ Diamond Wheel maintains maximum cutting efficiency, we recommend the following care and cleaning tips.

**Wet Trimming:** If using the wheel with a wet trimmer, be sure to check water flow rate. There must be sufficient water flow to remove cut material and prevent the wheel from clogging.

**Dry Trimming:** If using the wheel with a dry trimmer, the Whip Mix CleanCut Wheel Cleaner may be used to remove clogged material clinging to the wheel. **Do not use the CleanCut Wheel cleaner with a wet trimmer.**

Should the wheel appear to become dull, you may remove and clean the wheel with soapy water and a stiff bristle brush.

---

### Very Important

Before mounting, be sure the back of the wheel and the mounting surfaces are free of any dirt, debris, or build up. The slightest offset can cause uneven wear, or loss of diamonds from the grinding surface.

It is important that no metal of any kind (including casting rings, articulators, or dowel pins) come into contact with the surface of the Blue Wonder™ Diamond Wheel.

Blue Wonder™ Diamond Wheels are to be used on dental stone and plaster only. Do not use on plastic or wax. This type of material will permanently clog the wheel.

## #36090 Water Strainer

The #36090 Water Strainer protects a Model Trimmer's Electric Water Valve. Small particles of rust, scale and debris from the water supply can interfere with the valve sealing and may not allow the water to stop flowing completely. The Water Strainer, when installed and maintained, will prevent small particles from interfering with the Electric Water Valve's performance.

Before installing, servicing or removing the strainer, depressurize the water supply in the lines and trimmer by turning the water supply off to the trimmer, turn trimmer "on" and allow to run for 5 – 10 seconds to drain water from lines. Turn trimmer to "off" position and continue with the installation or repair.

---

## Installation

The water strainer will attach to only 1/4" (6mm) plastic tubing. (It is not designed for metal tubing or pipe.)

1. Examine the water supply tube to your model trimmer. Select a 1.5" (38mm) length which is easy to reach, resting on a surface, and does not interfere with other objects.
2. Cut the plastic tubing in the pre-described length at 90 degrees. If the tubing must bend in a tight space then one may need to cut out about 1.5" (38mm) of tube to make room for the strainer.

3. Slide a plastic ferrule nut over the newly exposed ends so that the open threaded portions point at each other.
4. Place the water strainer into the plastic ferrules so that the red arrow is pointed at the model trimmer.
5. Tighten the ferrules.

---

## Maintenance

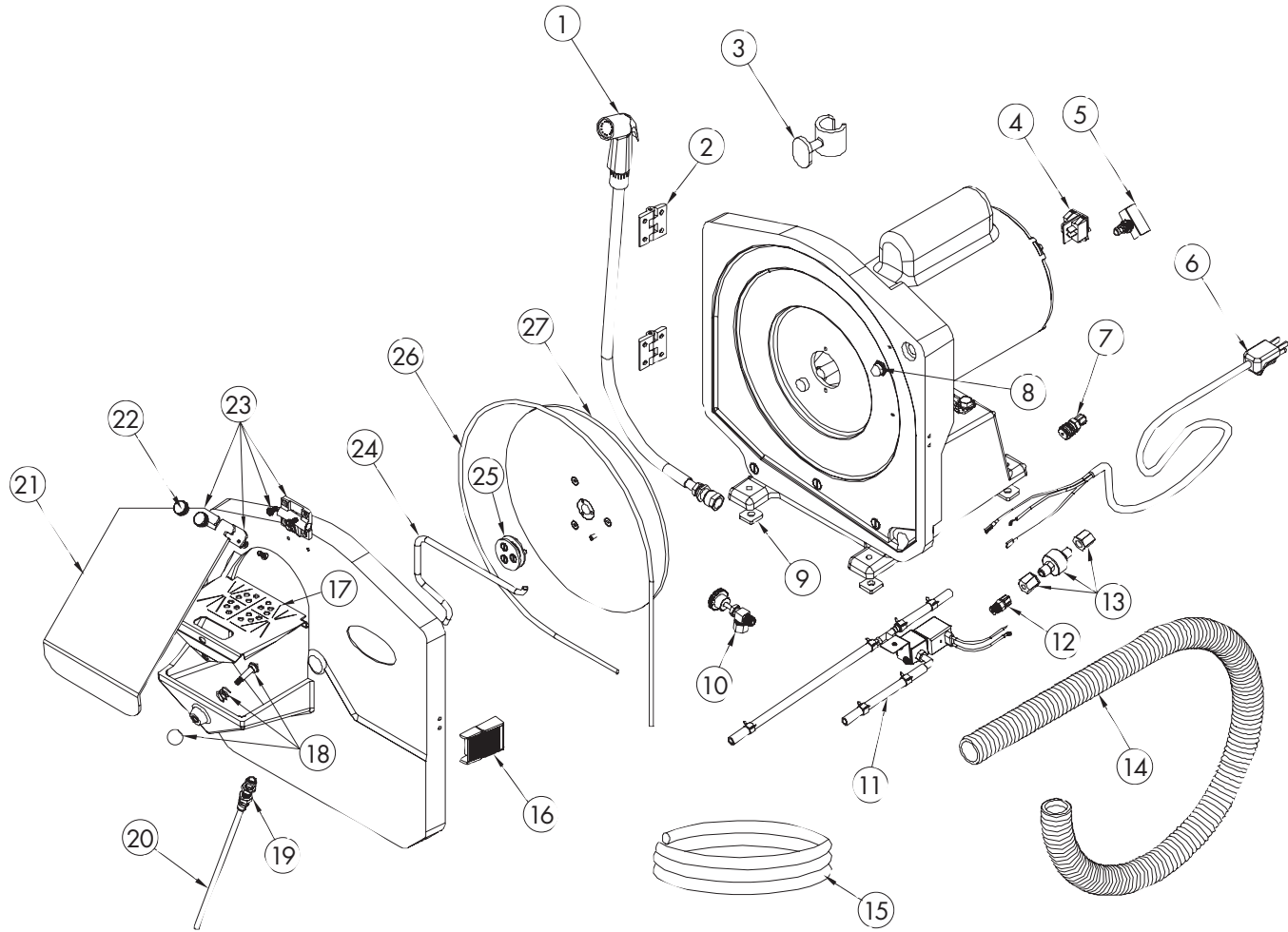
The strainer should be cleaned from time-to-time to remove rust, scale, or other hard particles in your water supply.

To clean:

1. Remove the strainer from the water line and reverse flush it with water.
2. Flush by pointing the arrow upward at the water outlet with the water running for a few minutes.

3. Look at the stainless steel screen to be certain that it is clear of debris before reattaching to the Model Trimmer.
4. When reinstalling the strainer, be certain that the arrow is pointing at the Model Trimmer.

If the strainer does not respond to flushing or the screen is missing, then please contact your authorized Whip Mix dealer or the Whip Mix Corporation for a replacement.



## Wet Trimmer Parts

#	PART#	QTY.	DESCRIPTION
1	MT30330	1	HAND SPRAY NOZZLE
2	MT36052	2	HINGE WITH HARDWARE
3	MT30704	1	HAND SPRAY HOLSTER
4	MT36114	1	SWITCH 115V
5	MT36056	1	SAFETY SWITCH
6	ME6001C	1	CORDSET, REGULAR
7	MT30158	1	WATER INLET FITTING
8	MT36057	1	SAFETY SWITCH SEAL
9	MT36060	1	RUBBER FEET - SET OF 4
10	MT36028	1	NEEDLE VALVE ASSEMBLY
11	MT36117	1	SOLENOID VALVE ASSEMBLY
12	MT30153	1	SOLENOID VALVE FITTING
13	MT36090	1	WATER STRAINER

14	MT36125	1	DRAIN HOSE
15	MT30117	1	WATER INLET HOSE
16	MT36051	1	DOOR LATCH WITH SCREWS
17	MT36046	1	WORK TRAY
18	MT36063	1	ADJUSTMENT ASSEMBLY FOR TRAY
19	MT36042	1	MALE UNION
20	MT36066-9	1	TUBING, 9"
21	MT36076	1	SPLASH SHIELD - ONLY
22	MT36073	1	KNOB - SET OF 2
23	MT36082	1	SPLASH SHIELD ASSEMBLY
24	MT36041	1	SPRAY TUBE
25	MT34076	1	ATTACH BUTTON ASSEMBLY
26	MT36039	1	DOOR GASKET, 46"
27	MT36122	1	BACKING PLATE ASSEMBLY

## Wet Trimmer Accessories

### Sediment Tray

Plastic Sediment Tray fits most model trimmers. Measures 18 1/8" L x 17 3/4" W x 2 3/4" H.

### Model Trimmer Wheels

12" abrasive wheel available in medium, coarse and extra coarse grits.

### 12" Blue Wonder™ Diamond Wheel

Guaranteed for one year of use.

### 12" PSA Disc

Pressure sensitive discs available in 40 and 50 grit.

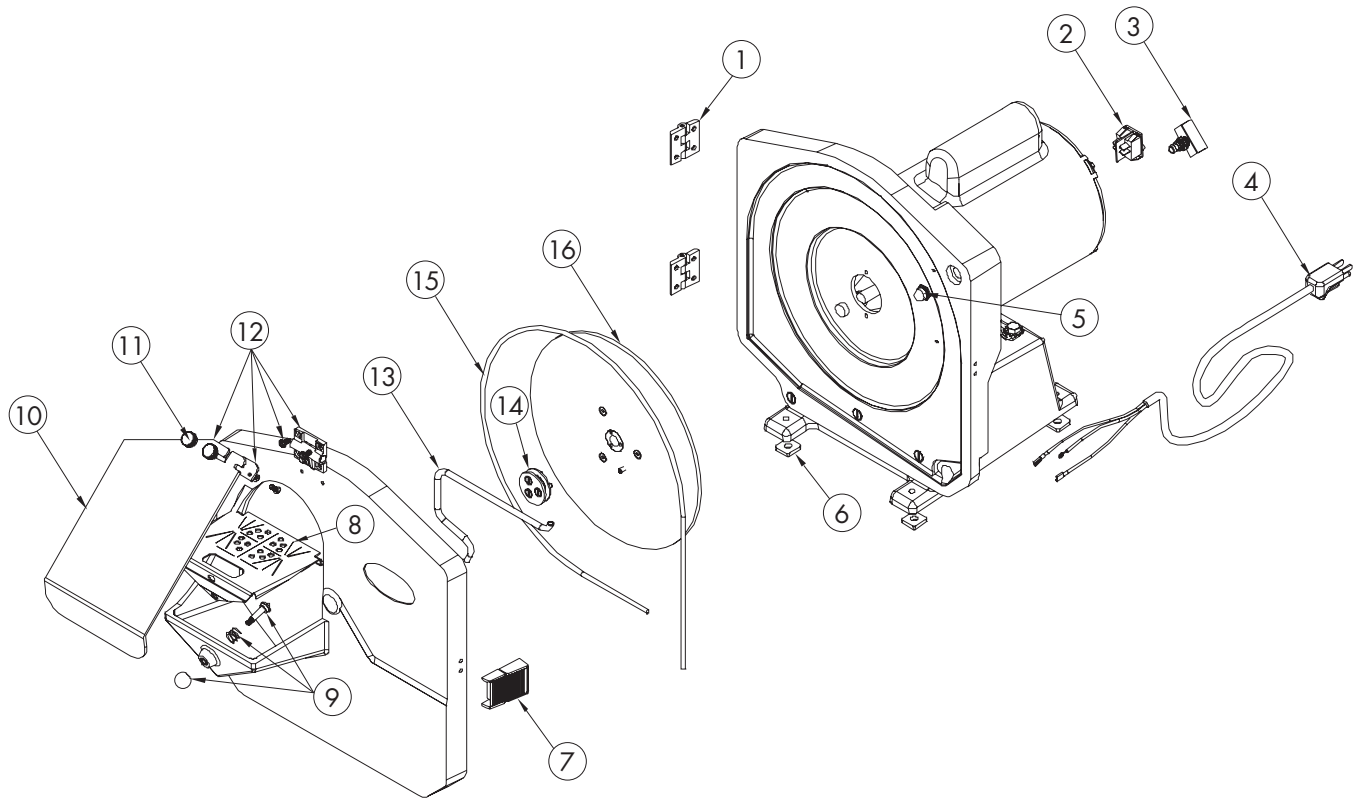
### PSA Backing Disc

A 12" plastic spacing disc for PSA conversion.

### Conversion Kit

Allows conversion from abrasive wheel to Pressure Sensitive Adhesive Disc System (PSA).

Standard kit contains three 50 grit discs and a 12" Plastic Backing disc.



## Dry Trimmer Parts

#	PART#	QTY.	DESCRIPTION
1	MT36052	2	HINGE WITH HARDWARE
2	MT36114	1	SWITCH 115V
3	MT36056	1	SAFETY SWITCH
4	ME6001C	1	CORDSET, REGULAR
5	MT36057	1	SAFETY SWITCH SEAL
6	MT36060	1	RUBBER FEET - SET OF 4
7	MT36051	1	DOOR LATCH WITH SCREWS
8	MT36046	1	WORK TRAY
9	MT36063	1	ADJUSTMENT ASSEMBLY FOR TRAY
10	MT36076	1	SPLASH SHIELD - ONLY
11	MT36073	1	KNOB - SET OF 2
12	MT36082	1	SPLASH SHIELD ASSEMBLY
13	MT36041	1	SPRAY TUBE
14	MT34076	1	ATTACH BUTTON ASSEMBLY
15	MT36039	1	DOOR GASKET 46"
16	MT36122	1	BACKING PLATE ASSEMBLY

## Dry Trimmer Accessories

### CleanCut Rubber Wheel Cleaner

Removes gypsum residue from wheel.

### Model Trimmer Wheels

12" abrasive wheel available in medium, coarse and extra coarse grits.

### 12" Blue Wonder™ Diamond Wheel

Guaranteed for one year of use.



**Whip Mix Corporation** • 361 Farmington Ave. • P.O. Box 17183 • Louisville, KY 40217-0183 USA  
502-637-1451 • 800-626-5651 • Fax 502-634-4512 • [www.whipmix.com](http://www.whipmix.com)

MPL30534 9/07