

DENAR® PARTS LIST

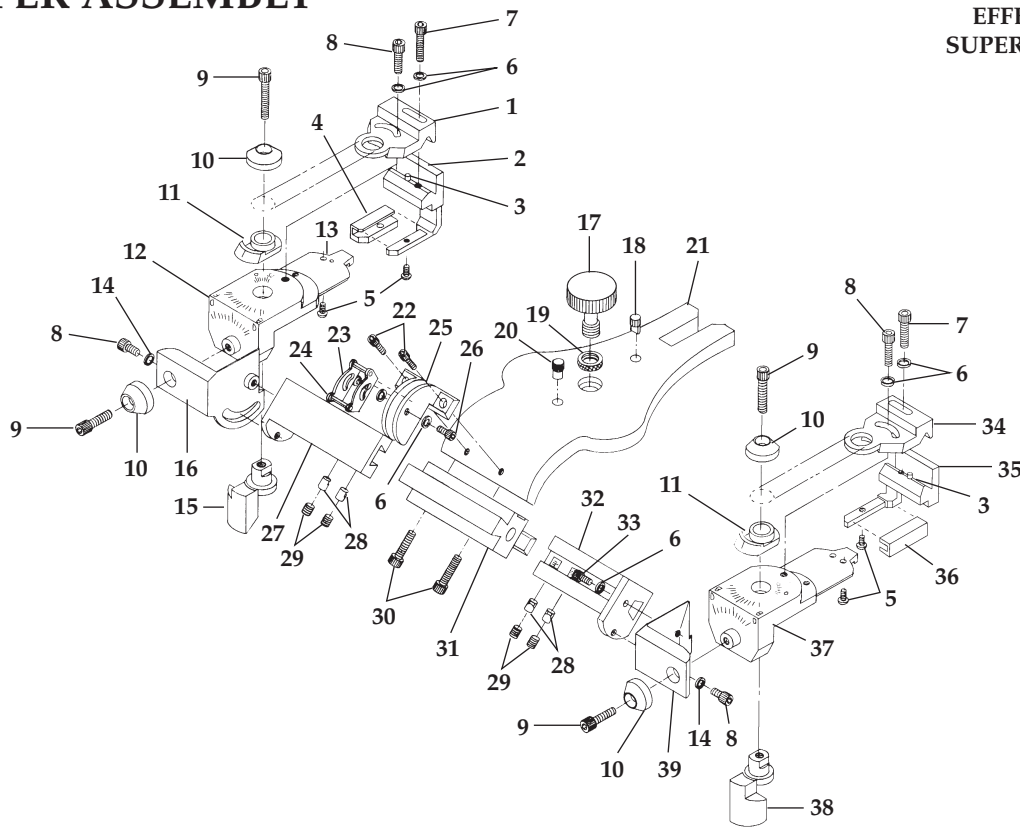
D5A UPPER ASSEMBLY

110196-4

PART #: 8802

EFFECTIVE: 7-1-08

SUPERSEDES: 1-1-07



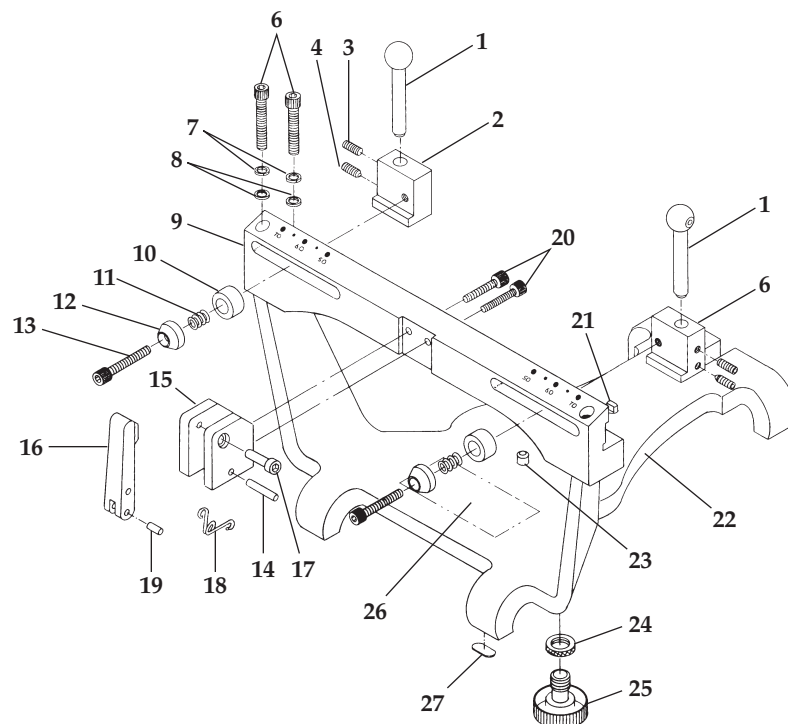
Key #	Part #	Description
1		Medial Wall Index*
2		Medial Wall Support*
3		Dowel Pin*
4	110065-4L	Medial Wall Insert
5	3026	Screw
6		Washer
7	3104	Screw
8	3040	Screw
9	3033	Screw
10	110054	Cone Washer
11		Index, Post Wall*
12		Fossa Frame*
13	110066-1	Superior Wall Insert
14	008668-000	Washer
15		Posterior Wall*
16		Fossa Bracket*
17	110083	Knob
18		Pin*
19		Threaded Bushing*
20		Pin*

Key #	Part #	Description
21		Upper Bow*
22	3006	Screw
23		Latch Retainer*
24		Roll Pin*
25		Latch Guide*
26		Screw
27		Dove Tail Slide L*
28	110043	Insert
29	3176	Set Screw
30		Screw
31		Dove Tail Guide*
32		Dove Tail Slide R*
33		Screw*
34		Medial Wall Index*
35		Medial Wall Support*
36	110065-4R	Medial Wall Insert
37		Fossa Frame*
38		Posterior Wall*
39		Fossa Bracket*

* Factory Repair Required
R Right
L Left

D5A LOWER ASSEMBLY

110196-4



Key #	Part #	Description
1		Condyle Ball/Shaft
2		Condyle Plate L
3	110202	Set Screw
4	3032-1	Set Screw
5		Condyle Plate R
6	3112	Screw
7	3159	Lock Washer*
8	110031	Washer
9		Lower Crossbar*
10	110020	Spring Guard
11	110019	Spring
12	110054	Cone Washer
13	3172	Screw
14	3157	Dowel Pin
15		Pivot Block*
16		Latch*

Key #	Part #	Description
17	3015	Screw Cap
18	110157-1	Spring
19	3097	Dowel Pin
20	3014	Screw
21		Dowel Pin
22		Lower Bow*
23		Dowel Pin
24		Bushing*
25	110083	Knob
26		Label*
27	110182	Foot
Not Shown	110293-1	Case
		Fossa Inserts-Medial
	110066-1P	Nylon, Straight
	110066-3P	Acrylic, 3/8" Radius

* Factory Repair Required
R Right
L Left



RESTORATIVE ORAL HEALTH
Whip Mix Corporation - West
1730 East Prospect Rd., Suite 101
Fort Collins, CO 80525
Toll-Free: 800-201-7286
Fax: 970-472-1793
www.whipmix.com