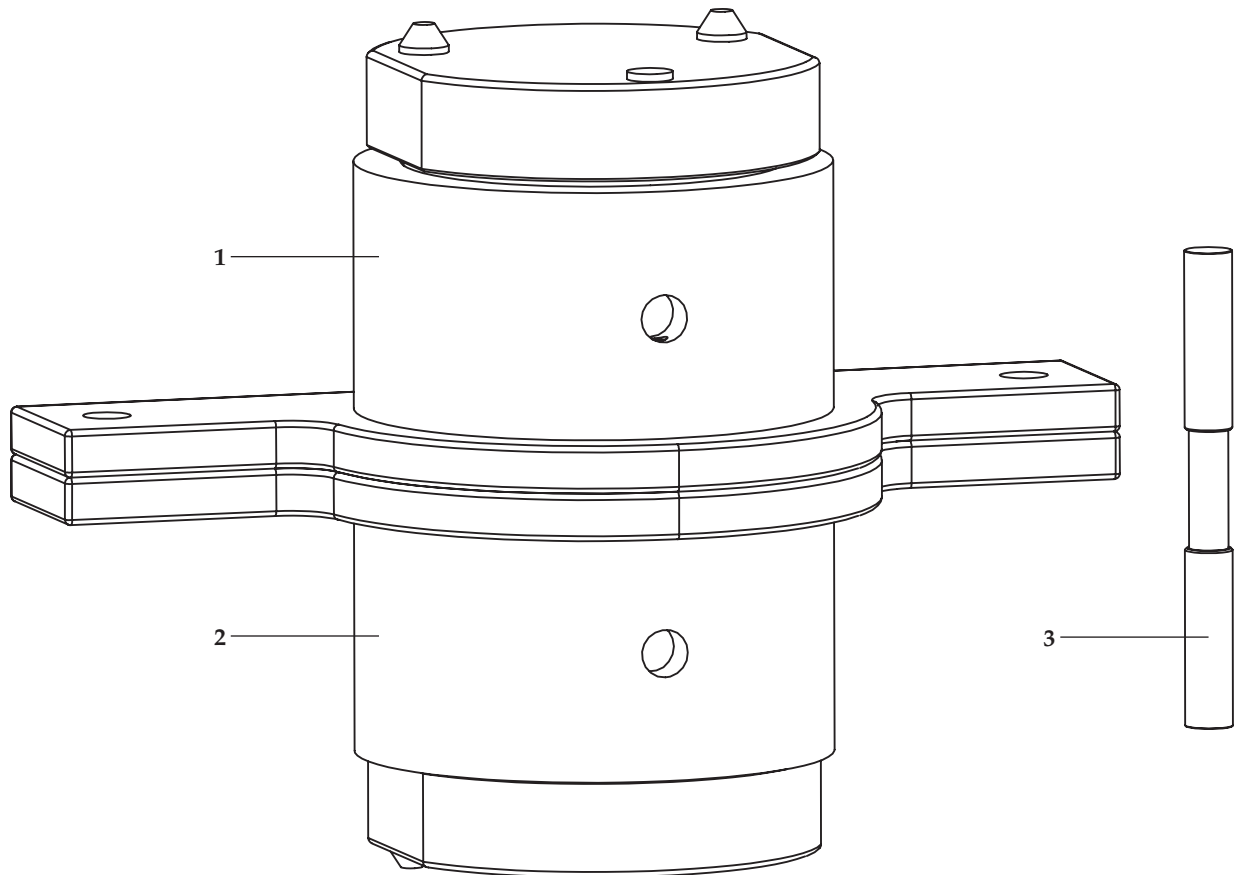


DENAR® PARTS LIST

**MARK 300 SERIES
VERIFICATION GAGE**

20011660

PART #: 20011683
EFFECTIVE: 3-1-2010



Key #	Part #	Description
1		Upper Assembly*
2		Lower Assembly*
3	20011666	Size Pin, Dia. .2494

* Factory Repair Required



RESTORATIVE ORAL HEALTH
Whip Mix Corporation
361 Farmington Avenue
Louisville, KY USA 40209
Toll-Free: 800-626-5651
Fax: 502-634-4512
www.whipmix.com