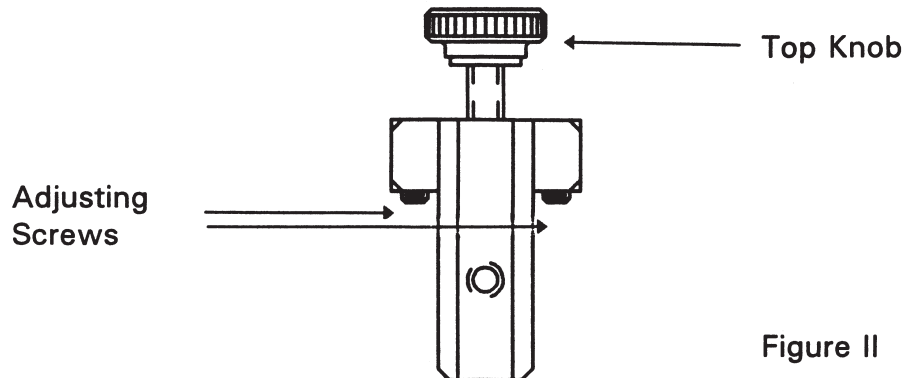
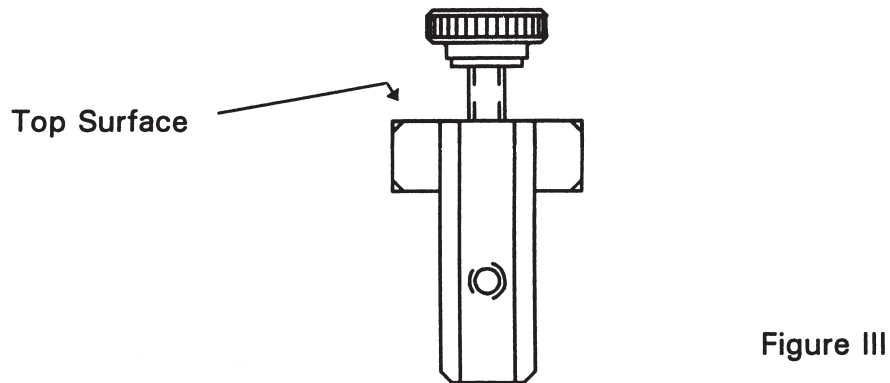


P-6 PIN INSTALLATION AND ADJUSTMENT PROCEDURE

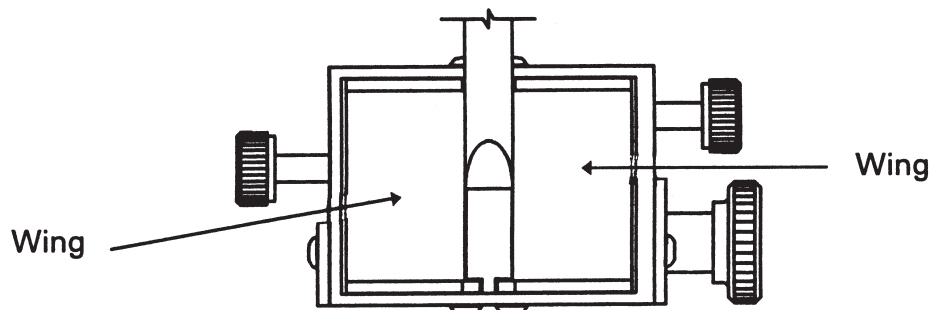
1. With the P-6 Pin and pin support off the articulator, adjust the pin to "0".
2. Identify the two adjusting screws and the top knob as shown in Figure II.



3. Adjust the two adjusting screws by backing them out until they are flush with the top surface, as shown in Figure III.

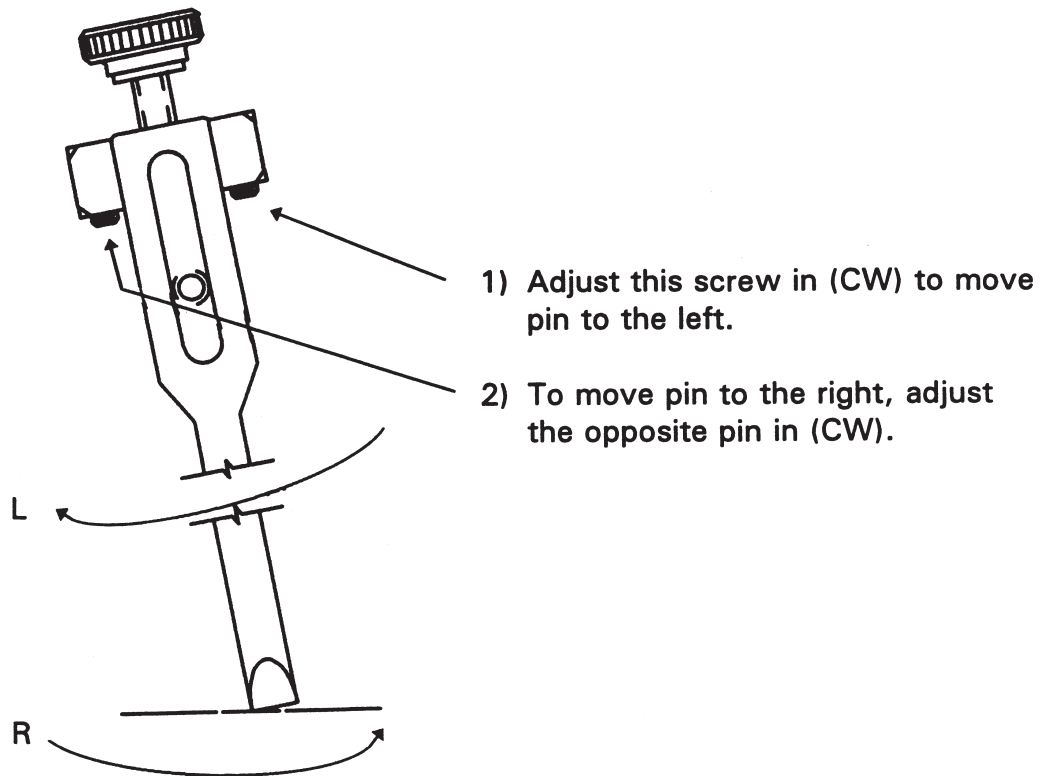


4. Place pin on articulator.
5. Lightly tighten the top knob.
6. Observe the alignment of the pin on the center web of the T6 Table.

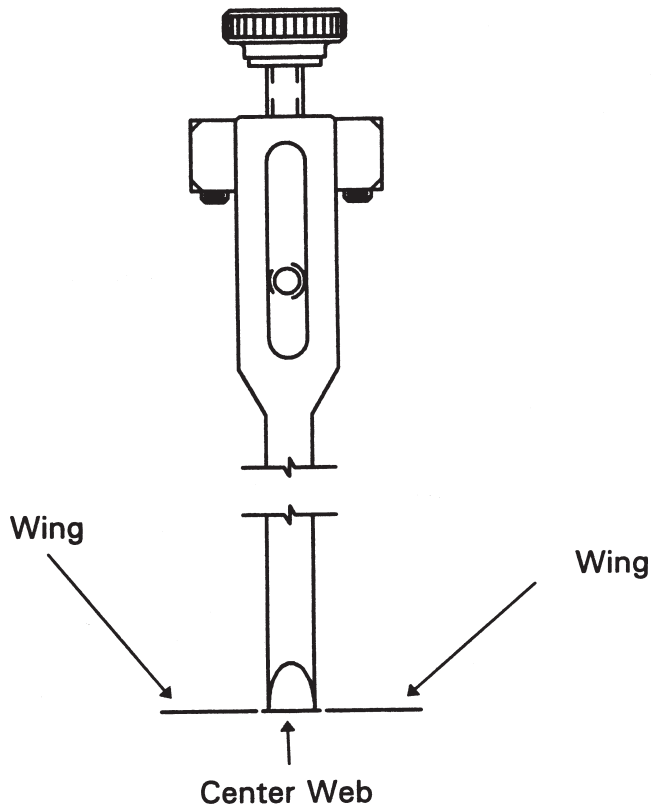


7. Pin should rest on center web and not on a wing of the T6 Table.

8. If pin is on a "wing", adjust as follows:



9. When adjustment is obtained, pin is on center web. Tighten to top knob.



RESTORATIVE ORAL HEALTH

Whip Mix Corporation - West • 1730 East Prospect Rd., Suite 101 • Fort Collins, CO 80525

Toll-Free: 1-800-201-7286 • Fax: 1-970-472-1793 • www.whipmix.com

© 2008 Whip Mix Corporation. Whip Mix® is a registered trademark of Whip Mix Corporation.

FN 8202-F AD R0508