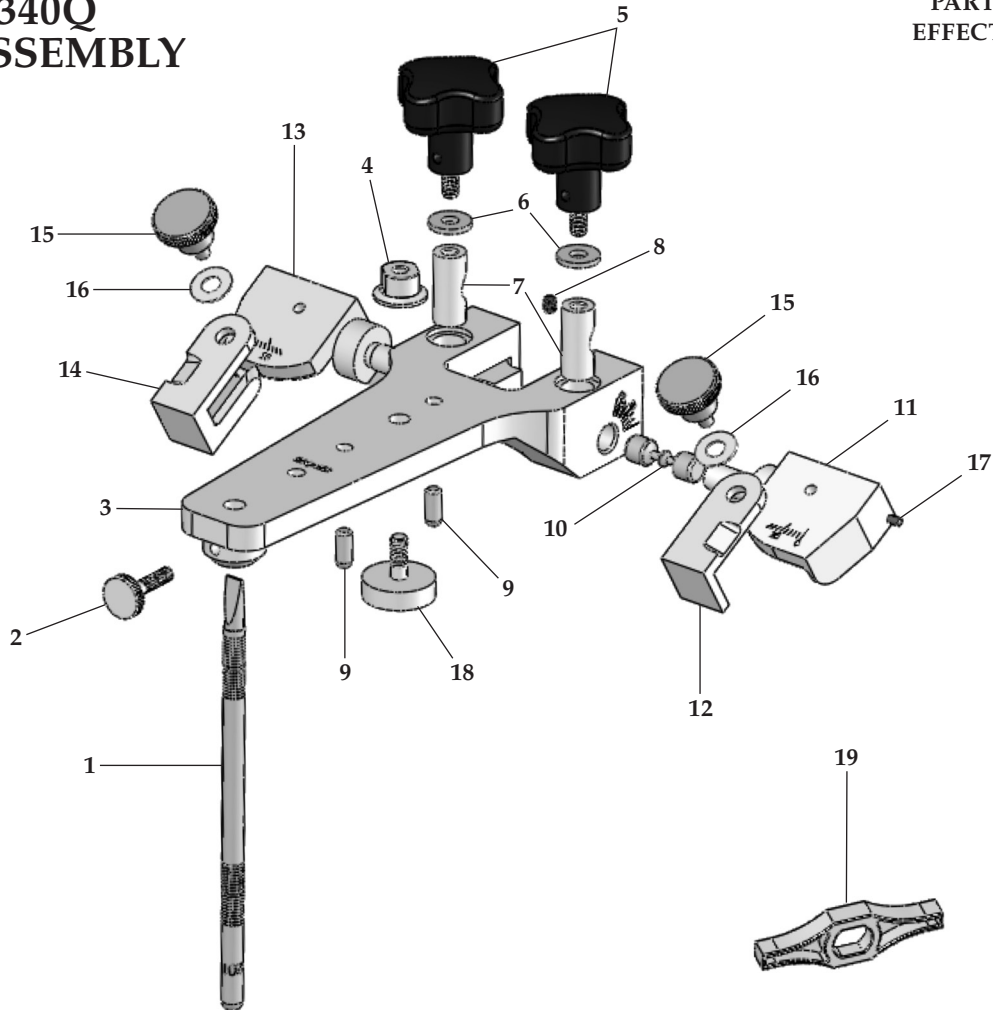


WHIP MIX[®] PARTS LIST

MODEL 2340Q UPPER ASSEMBLY

34220

PART #: MPL2340Q
EFFECTIVE: 4/1/2013

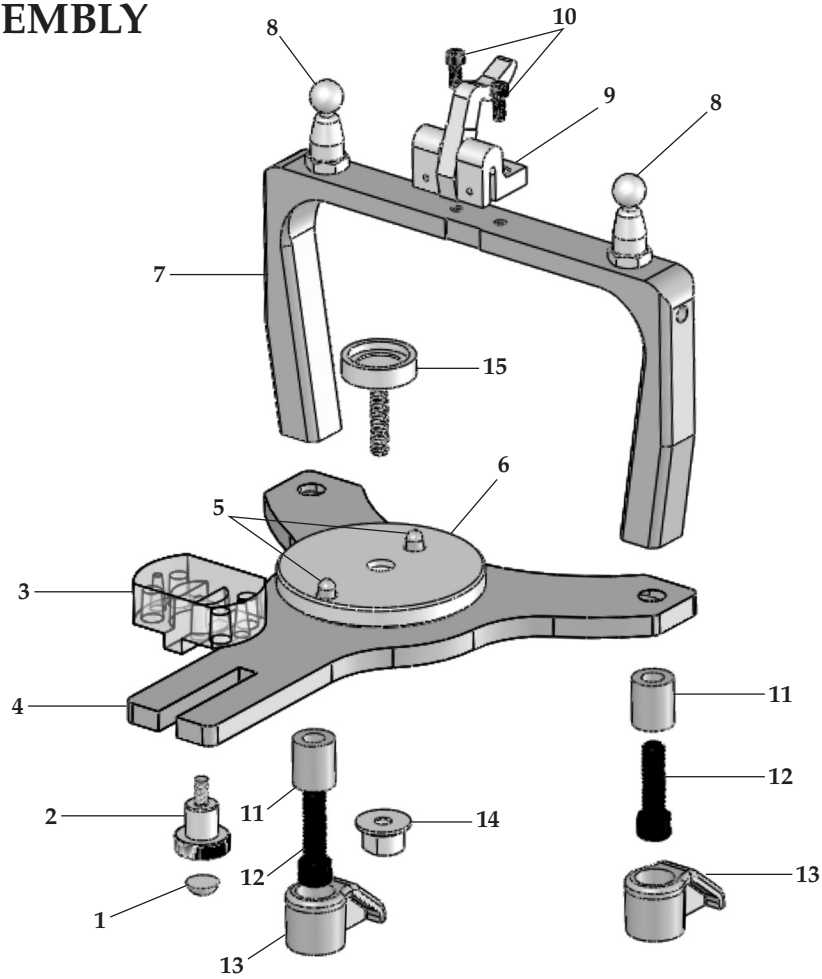


Key #	Item #	Description
1	01740	Incisal Pin
2	04022	Incisal Pin Screw
3		Top Plate*
4, 18, 19	28703	Quickmount Plate Holder 13mm
4		Nut
5, 6, 7	24643	Condylar Guide Clamp Assembly
5	24644	Clamp Screw
6		Washer, Brass
7		Pull Clamp
8		Screw, Hex Head (VMI)*

Key #	Item #	Description
9		Pin* (2)
10		Centering Pin*
11		Condylar Guide (Left)*
12		Side Shift (Left)*
13		Condylar Guide (Right)*
14		Side Shift (Right)*
15	16713	Side Shift Knob (2)
16	04316	Washer, Black (2)
17		Mounting Pin* (2)
18		Holder 13mm
19		Wrench

* Factory Repair Required

MODEL 2340Q LOWER ASSEMBLY



Key #	Item #	Description
1	04220	Foot Bumper
2	04243	Incisal Block Screw
3	04235	Incisal Block
4		Bottom Plate*
5		Pin* (2)
6		Mounting Table (Long)*
7		Upright*
8		Condyle Element* (2)

Key #	Item #	Description
9		Latch Assembly*
10	04049	Screw (VMI) (2)
11	03964	Leg (2)
12	03972	Leg Screw (2)
13	24741	Articulator Foot
14, 15	28704	Quickmount Plate Holder 25mm
14		Nut
15		Holder 25mm

* Factory Repair Required



RESTORATIVE ORAL HEALTH
Whip Mix Corporation
361 Farmington Avenue
Louisville, KY USA 40209
Toll-Free: 800-626-5651
Fax: 502-634-4512
www.whipmix.com