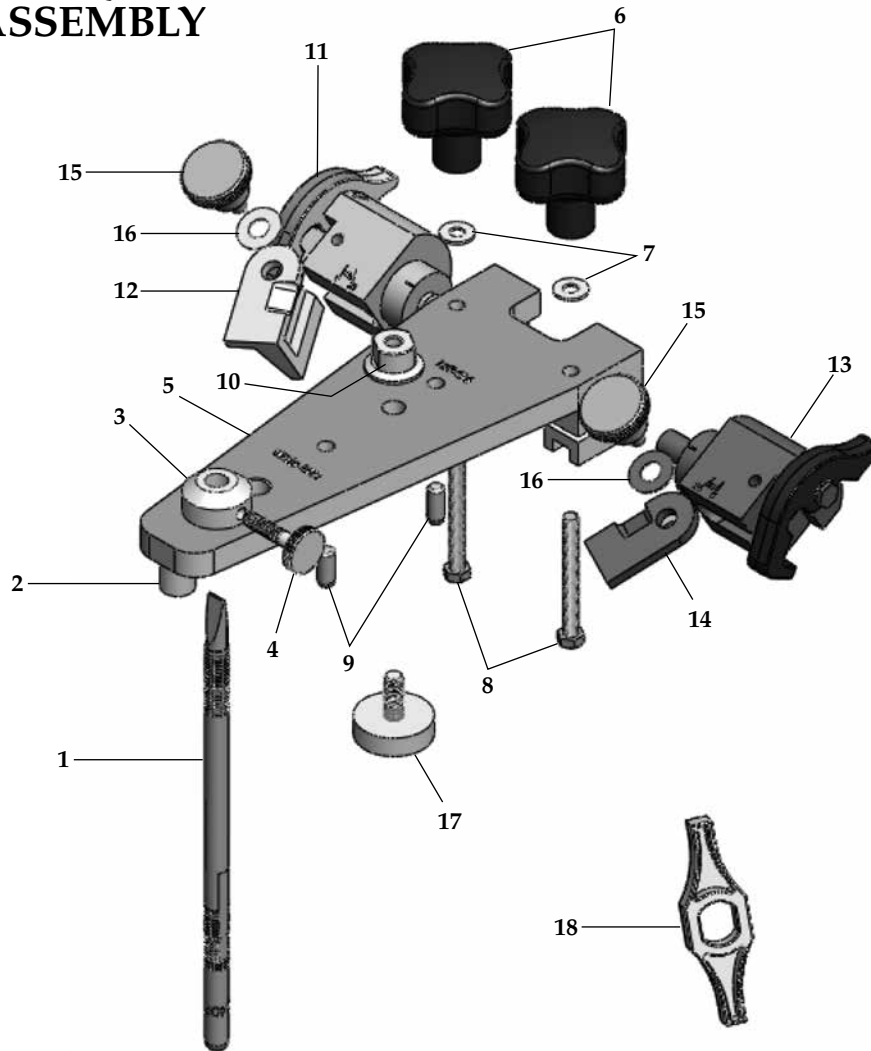


# WHIP MIX<sup>®</sup> PARTS LIST

## MODEL 4640Q UPPER ASSEMBLY

02276

PART #: MPL4640Q  
EFFECTIVE: 8-1-2016  
SUPERSEDES: 3-1-2015

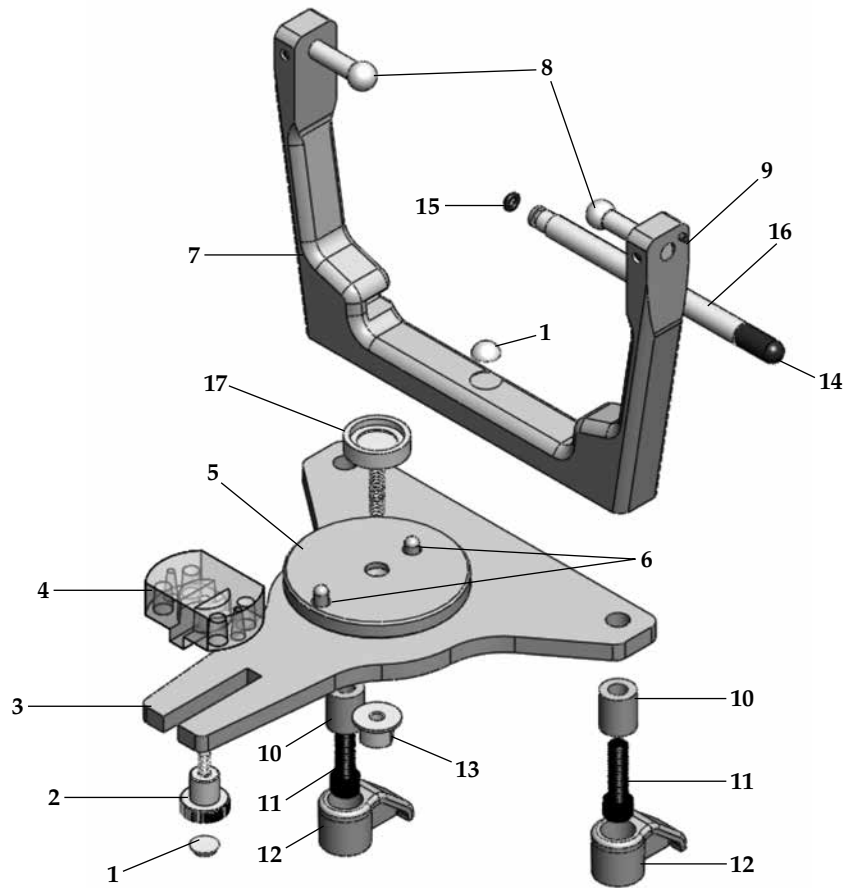


Key #	Item #	Description
1	01745	Guide Pin
2		Boss*
3		Boss*
4	04022	Incisal Pin Screw
5		Top Plate*
6	24645	Clamp Knob (2)
7	MA2424	Washer, Nylon (2)
8		Screw, Hex Head (VMI)
9		Pin* (2)
10, 17, 18	28703	Quickmount Plate Holder 13mm

Key #	Item #	Description
10		Nut
11		Condylar Guide (Right)*
12		Side Shift Bar (Right)*
13		Condylar Guide (Left)*
14		Side Shift Bar (Left)*
15	16713	Side Shift Knob (2)
16	04316	Fiber Washer (2)
17		Holder 13mm
18		Wrench

\* Factory Repair Required

# MODEL 4640Q LOWER ASSEMBLY



Key #	Item #	Description
1	04220	Foot Bumper (2)
2	04243	Incisal Block Screw
3		Bottom Plate*
4	04235	Incisal Block
5		Mounting Table (Short)*
6		Pin* (2)
7		Upright*
8		Condyle Element* (2)
9		Mounting Pin* (2)
10	03964	Leg (2)

Key #	Item #	Description
11	03972	Screw, Socket Cap (2)
12	24741	Articulator Foot (2)
13, 17	28704	Quickmount Plate Holder 25mm
13		Nut
14, 15, 16	02287	Support Bar Assembly
14		End Bumper
15	04495	O-Ring (2)
16		Top Plate Support Rod
17		Holder 25mm

\* Factory Repair Required



RESTORATIVE ORAL HEALTH  
Whip Mix Corporation  
361 Farmington Avenue  
Louisville, KY USA 40209  
Toll-Free: 800-626-5651  
Fax: 502-634-4512  
www.whipmix.com

