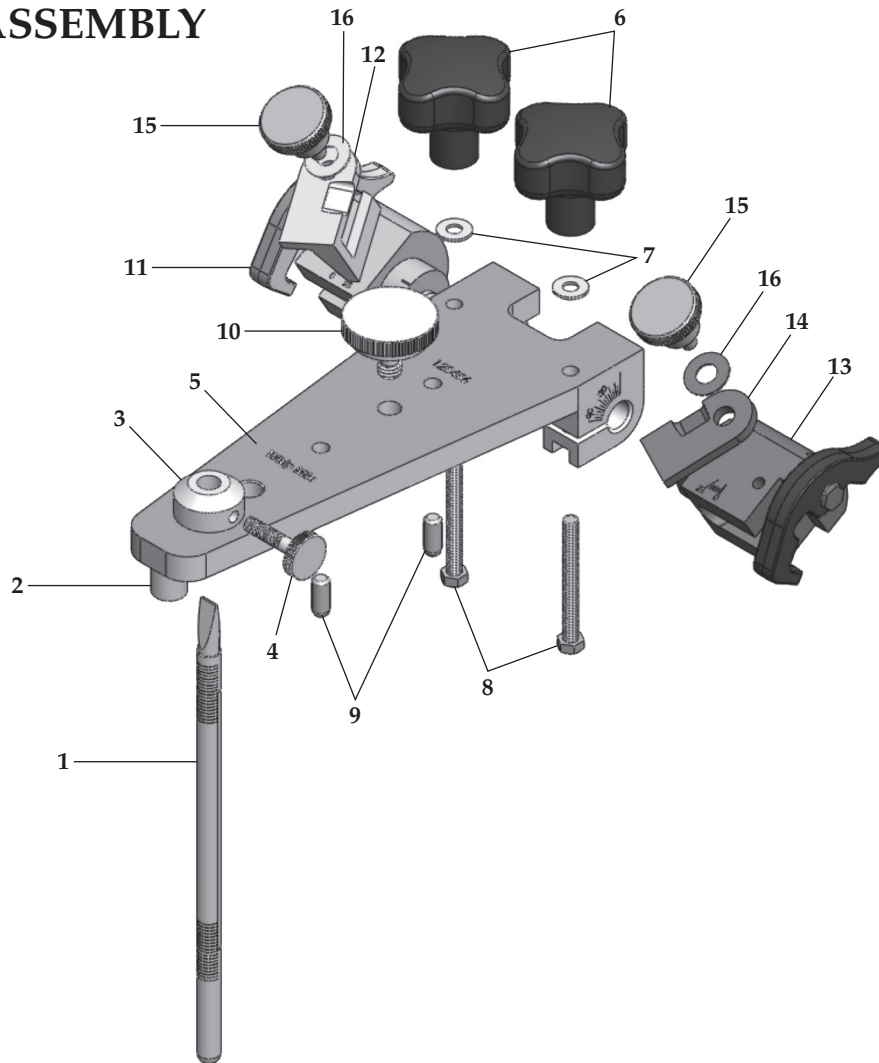


WHIP MIX[®] PARTS LIST

MODEL 4640
UPPER ASSEMBLY
 02275

PART #: MPL4640
EFFECTIVE: 12-1-2016
SUPERSEDES: 8-1-2016

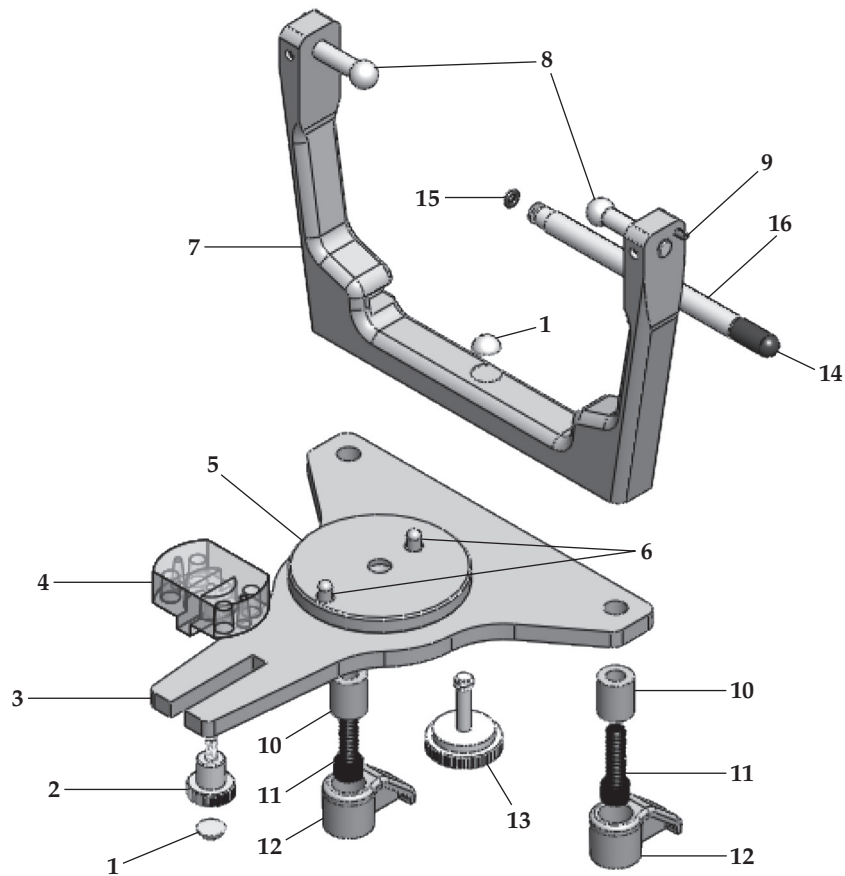


Key #	Item #	Description
1	01745	Guide Pin
2		Boss*
3		Boss*
4	04022	Incisal Pin Screw
5		Top Plate*
6	24645	Clamp Knob (2)
7	MA2424	Washer, Nylon (2)
8		Screw, Hex Head (VMI)
9		Pin (2)*

Key #	Item #	Description
10	34332	Mounting Plate Screw and Knob SS
11		Condylar Guide (Right)*
12		Side Shift Bar (Right)*
13		Condylar Guide (Left)*
14		Side Shift Bar (Left)*
15	16713	Side Shift Knob (2)
16	04316	Fiber Washer

* Factory Repair Required

MODEL 4640 LOWER ASSEMBLY



Key #	Item #	Description
1	04220	Foot Bumper (2)
2	04243	Incisal Block Screw
3		Bottom Plate*
4	04235	Incisal Block
5		Mounting Table (Short)*
6		Pin (2)*
7		Upright*
8		Condyle Element (2)*
9		Mounting Pin (2)*

Key #	Item #	Description
10	03964	Leg (2)
11	03972	Screw, Socket Cap (2)
12	24741	Articulator Foot (2)
13	34330	Mounting Plate Screw and Knob SS
14, 15, 16	02287	Support Bar Assembly
14		End Bumper
15	04495	O-Ring (2)
16		Top Plate Support Rod

* Factory Repair Required



RESTORATIVE ORAL HEALTH
Whip Mix Corporation
361 Farmington Avenue
Louisville, KY USA 40209
Toll-Free: 800-626-5651
Fax: 502-634-4512
www.whipmix.com