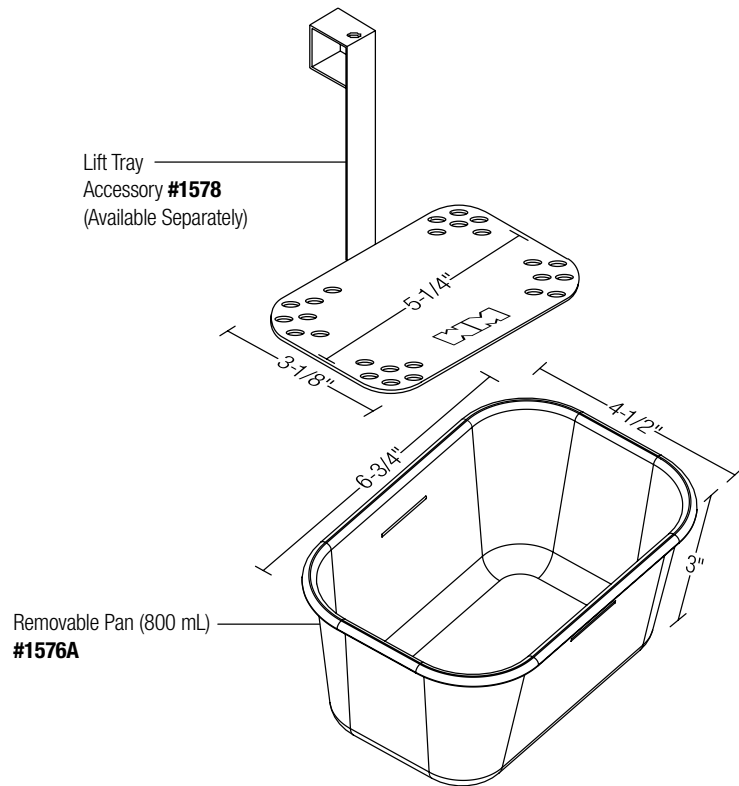


## REPLACEMENT PARTS AND ACCESSORIES

Item No.	Description
05350	Digital Water Bath including removable stainless steel pan (115V)
05335	Digital Water Bath including removable stainless steel pan (230V)
05327	#1576A Removable Pan
05326	#1578 Lift Tray



# Operating Instructions

## Digital Water Bath

### with Variable Temperature Control



## INSTALLATION

Each Whip Mix Water Bath is packaged as follows:

- 1 – Water Bath unit
- 1 – Removable pan

Fill the removable pan with water to the water level indicator line.

Place removable pan in the Water Bath Unit and rotate the two clips over the lip of the pan.

Wrap gauze around the Lift Tray (see Accessories) to prevent materials such as impression compound from sticking to the tray and removable pan surfaces.

Plug the unit into a grounded receptacle with the same electrical characteristics as shown on the Water Bath data plate.



## ENVIRONMENTAL CONDITIONS

This Water Bath has been designed to be safe at least under the following environmental conditions:

- Indoor use.
- Altitude up to 6,500 feet.
- Temperature 41°F to 104°F.
- Maximum relative humidity of 80% for temperatures up to 88°F, decreasing linearly to 50% relative humidity at 104°F.
- Main supply voltage fluctuations not to exceed plus or minus 10% of the normal voltage.
- Transient overvoltages according to INSTALLATION CATEGORY II.
- POLLUTION DEGREE 2 in accordance with IEC 664.

## OPERATION

Turn the unit on by pushing the green on/off switch. NOTE: The unit will not turn on until the removable pan is correctly positioned in the Water Bath unit.

To set the temperature, press the C/S button to illuminate the "S" light. Then press the blue arrow buttons  to increase heat or  to decrease the heat. To verify the actual water temperature, press the C/S button again to illuminate the "C" light. This will show the actual temperature.

NOTE: Once the temperature is set, the red heating indicator light will glow continuously until the temperature reaches within 15° F of the set temperature. When it reaches the set temperature it will turn off.

After clinical procedures are completed or at the end of the day, turn the unit off by pushing the green on/off switch. Remove the lift tray from the removable pan (if being used) and discard gauze.

gently lift removable pan from the Water Bath unit and discard water.

The lift tray and removable pan are manufactured from stainless steel and may be disinfected by wiping them with Cavicide or a comparable medical grade disinfectant. If preferred, the parts may also be sterilized using an autoclave. In such cases, we recommend utilizing the same autoclave cycle that you employ for your standard stainless steel instruments, or follow the autoclave parameters set forth in the CDC's "Guideline for Disinfection and Sterilization in Healthcare Facilities (2008)", Table 7: "Minimum cycle times for steam sterilization cycles".

## TECHNICAL SPECIFICATIONS

Voltage:	115 V, 50/60 Hz
Amperage:	1.7 A
Wattage:	200 W
Dimensions:	7.5" (19 cm) Wide x 5.3" (13.5 cm) High x 8.6" (21.8 cm) Deep
Capacity:	6.5" (16.5 cm) Wide x 4.25" (10.8 cm) High x 2.75" (7.0 cm) Deep
Temperature:	86°F to 176°F (30°C to 80°C) Variable
Weight:	6 lbs. (2.7 kg)

## MAINTENANCE

Unplug the unit before performing maintenance or repair.

Keep the gasket on top of unit free of debris so that any spilled water does not enter the area containing the electrical components.

Return unit to Whip Mix Corporation for service on all internal components.

## CAUTION

- This appliance must be turned off at the end of each day. Failure to do so may cause the water to evaporate and the unit to overheat.
- When cleaning this appliance, care must be taken to avoid damage to the thermostat. Damage to this component may cause the unit to overheat.
- To prevent electrical shock, DO NOT REMOVE ground prong on the plug. Use only in a properly grounded outlet.
- Do not immerse water bath in water. Unplug the unit before performing any maintenance or repair.
- **WARNING: Allowing this appliance to operate without water or with damage to the thermostat bulb or tube can cause the unit to overheat, causing damage to the unit, shock or fire hazard.**

## WARRANTY

The Digital Water Bath is covered by a standard Whip Mix one year warranty (US and Canada only).